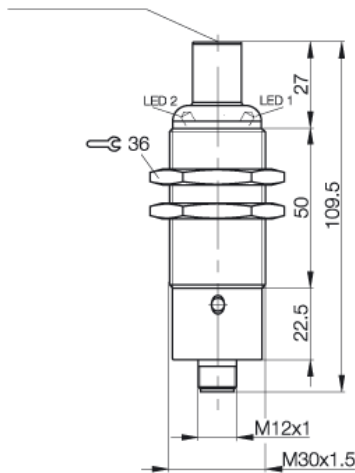


P10342



Technical Data

Size	M30x1,5
Function	read/write
Antenna	round
Supply Voltage	24 V DC ±20%
Ripple	<10%
Current draw	max. 50mA without load
Operating temperature	0...70°C
Storage temperature	-20...85°C
Protection per IEC 60529	IP 67
Housing material	nickel plated brass
Connection	1connector round 8-pin
Interface/Software	RS232 Balluff Dialog
Description	Processor unit, RS232, integr. read/write head
Accessories	Configuration software included

passender Datenträger	BIS M-101	BIS M-102	BIS M-105
Abstand Datenträger zu Metall in mm	> 25	> 10	> 5
Freizone Datenträger in mm	> 60	> 50	> 50
Schreibabstand in mm	0-15	0-12	0-10
Leseabstand in mm	0-18	0-18	0-10
Versatz in mm	±9	±6	±4
bei Abstand von	±15	±12	±4
2 mm	±9	±6	±4
5 mm	±9	±6	±4
10 mm	±6	±3	±2
15 mm	±4		
20 mm			
25 mm			
30 mm			
35 mm			
40 mm			
45 mm			
50 mm			